

fermacell

External wall solutions

Render or rainscreen, fermacell has the answer.



fermacell[®]





fermacell Powerpanel H₂O

Top advantages for external application:

- Weather and mould resistant
- BBA and ETA certified
- Stable and robust, non-combustible
- Lightweight and easy to use
- Comprehensive product range

fermacell External Wall Solutions

The fermacell brand has stood for high quality building boards for the last 40 years. Innovation and new systems approach help fermacell develop clever, sustainable and cost effective building materials.

All fermacell boards are manufactured to strict UK and European standards and undergo the most uncompromising tests – in house, as well as by third parties. This guarantees reliable, consistent product backed by years of industry experience and strong technical knowledge.

fermacell's comprehensive technical support starts from the design and planning to on site visits and training.

Dry construction methods are the preferred method of external construction in Europe – significantly reducing construction times in comparison to masonry construction in both refurb and new build projects, their streamlined designs save time and make it possible to implement economic solutions.

fermacell offers two simple dry solutions for external walls.

- fermacell Gypsum Boards
- fermacell Powerpanel H₂O

fermacell Rainscreen Backer Board

fermacell offers a fast, reliable, cost effective solution for external Rainscreen and EWI applications on timber and steel frames.

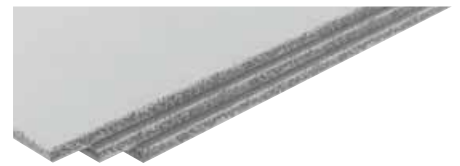
- Structural board with excellent racking strength
- Reliable Air Tightness
- Weather, moisture and mould resistance
- Improves fire and acoustic performance
- Multi-purpose board – less mistakes on site
- Environmentally friendly – approved by the ECO Institute
- Approved by the CWCT



fermacell Powerpanel H₂O Render Carrier

Superior render carrier board for fast, durable and versatile external walls, cladding and soffits on timber or steel frames.

- Lightweight solution
- Withstands extreme weather effects – can be left exposed for months
- Weather, water and mould resistant
- Non Combustible A1
- Easily curved
- BBA certified



Vented rainscreen and EWI backing system

Choose **fermacell** with confidence

The original **fermacell** gypsum fibreboard's suitability for use as part of external cladding systems has been certified following rigorous testing at the Taylor Woodrow Technology Centre under strict CWCT guidelines.

Test Criteria:

- Water Tightness - PASS
- Air Permeability - PASS
- Wind Resistance - above 2/kN - PASS

It was the first gypsum based board to be tested and approved in the UK for a rainscreen and EWI backer board, and has been proved in timber frame solutions with rainscreen and EWI around Europe for over 20 years.

The advantages of **fermacell** Gypsum Fibreboard

- **fermacell** gypsum fibreboard performs as well as a cement particle (CP) board at a significantly reduced cost
- Outperforms plasterboard and Oriented Strand Board (OSB) across the board – for sound, fire, impact, racking and moisture resistance
- Outstandingly sustainable, **fermacell** is produced using recycled materials, helping achieve better BREEAM ratings
- It is ideal in both load bearing and non load bearing walls, as well as for acoustic flooring and robust ceiling applications
- Can be used as the air tightness line within systems or buildings



Racking Performance

fermacell Gypsum Fibreboards offer a Category 1 racking resistance provided by 12.5mm board.



Impact resistant

fermacell Gypsum Fibreboards reduces double layering or use of sheathing ply. The homogeneous board structure makes it sturdy and able to withstand mechanical loading.



Fire resistant

60 minutes fire resistance from single layer partitions up to 10m high. Class '0' certification. European class A2.



Environmentally Friendly

fermacell Gypsum Fibreboards are manufactured from recycled cellulose fibres from post consumer waste paper and recycled water.



Moisture Resistant

fermacell Gypsum Fibreboards are extremely suitable for rooms with variable humidity, eg. kitchens and bathrooms.



Best sound insulation

Tests conducted by various worldwide institutes confirm outstanding sound insulating properties.

fermacell is not only an excellent façade backer material, **fermacell** is also a high performance, multi-purpose building board. It combines in a single product, exceptional fire, impact and moisture resistance properties with high levels of acoustic insulation and weight carrying capacity.



Vented Rainscreen System

1. fermacell 12.5mm square edge board
2. fermacell/internal lining board with vapour control layer if required.
3. Metal or timber stud to suit loading requirements, with appropriate head and foot track to manufacturers guidelines.
4. Insulation to main studs as per specification
5. Fixings
 Steel Frame – Screws wafer head zinc plated 4.2mm gauge with 10.5mm head e.g Hilti S-DD03Z 4.2x25mm at 150mm centres

 Timber Frame - Alternative fixings should be suitable for use in external and high humidity environments (min 1000hr salt spray resistance). Minimum nail diameter 2.2mm, 50mm long, suitable head size. Min 5mm. Contact the fermacell technical department for further details.
6. Breather membrane
7. Vented rainscreen system by others

Jointing

Apply a minimum 50mm foil tape over all joints and screw heads. Where an airtight line is required, seal all joints with a suitable external grade mastic, fire and acoustic rated as required.

NB. We advise all loadings are taken back to their main supporting structure.

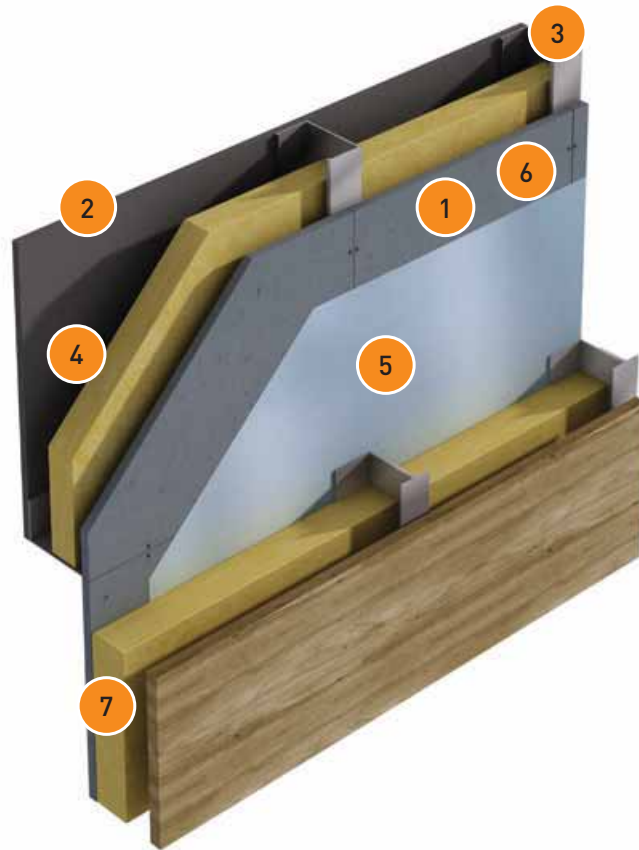
Pull Out Test

Guidance results from test as required on-site by EWI system manufacturer.

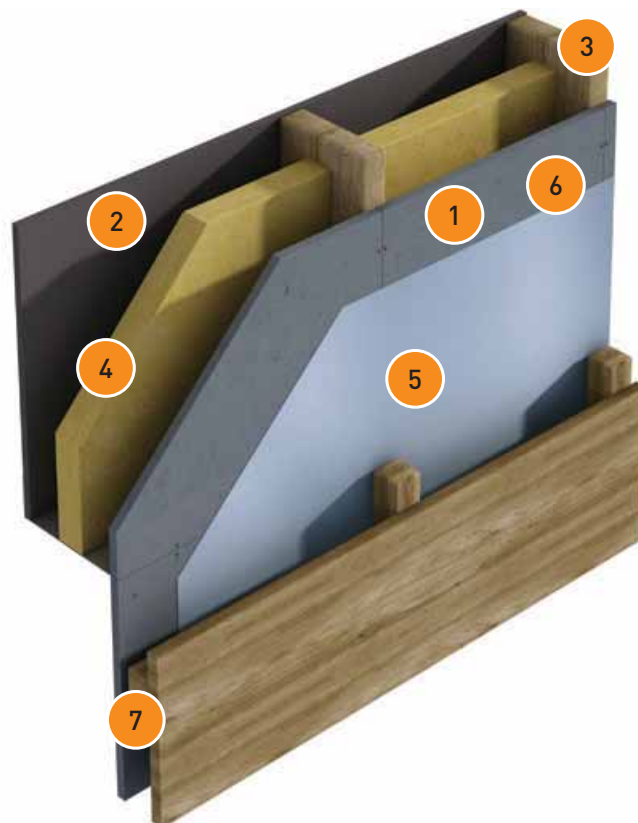
| | |
|---|---------|
| 12.5mm fermacell Gypsum Fibreboard | 0.742kN |
| 15mm fermacell Gypsum Fibreboard | 0.880kN |
| 18mm fermacell Gypsum Fibreboard | 1.091kN |

NB. The results above are obtained from 10 tests per sample board carried out in accordance with equipment conforming to BS5427 on EJOT fixing SW8R 4.8mm x 60mm. The information above should form part of a general guide only.

Steel frame with rainscreen cladding



Timber frame with rainscreen cladding



For board characteristics see table on page 11.

EWI Backing System

1. fermacell 12.5mm square edge board
2. fermacell/internal lining board with vapour control layer if required.
3. Metal or timber stud to suit loading requirements, with appropriate head and foot track to manufacturers guidelines
4. Insulation to main studs as per specification
5. Fixings
Steel Frame – Screws wafer head zinc plated 4.2mm gauge with 10.5mm head e.g Hilti S-DD03Z 4.2x25mm at 150mm centres.

Timber Frame - Alternative fixings should be suitable for use in external and high humidity environments (min 1000hr salt spray resistance). Minimum nail diameter 2.2mm, 50mm long, suitable head size. Min 5mm. Contact the fermacell technical department for further details.

NB. Standard fermacell drywall screws must not be used in external / sheathing applications.

6. EWI system by others

Jointing

Apply a minimum 50mm foil tape over all joints and screw heads. Where an airtight line is required, seal all joints with a suitable external grade mastic, fire and acoustic rated as required.

NB. We advise all loadings are taken back to their main supporting structure.

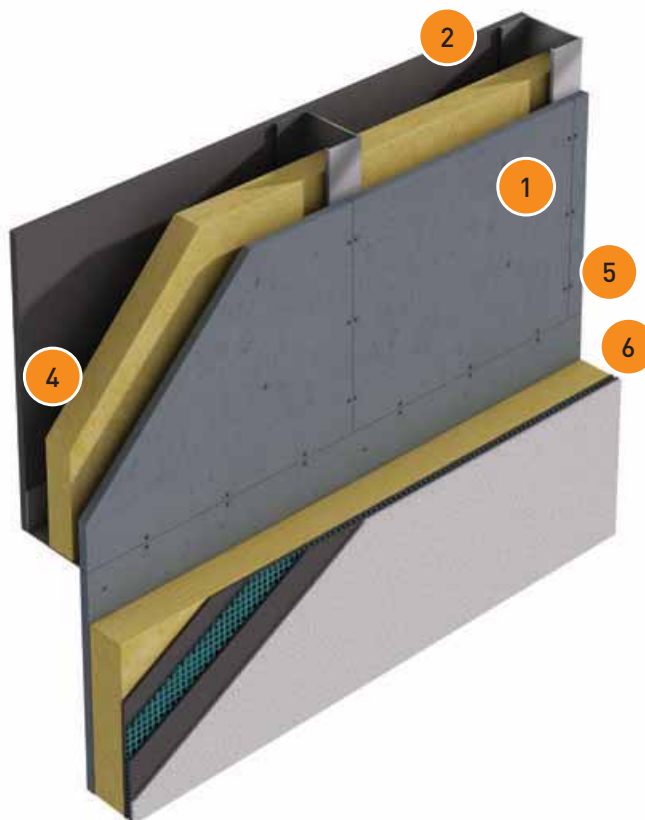
Pull Out Test

Guidance results from test as required on-site by EWI system manufacturer.

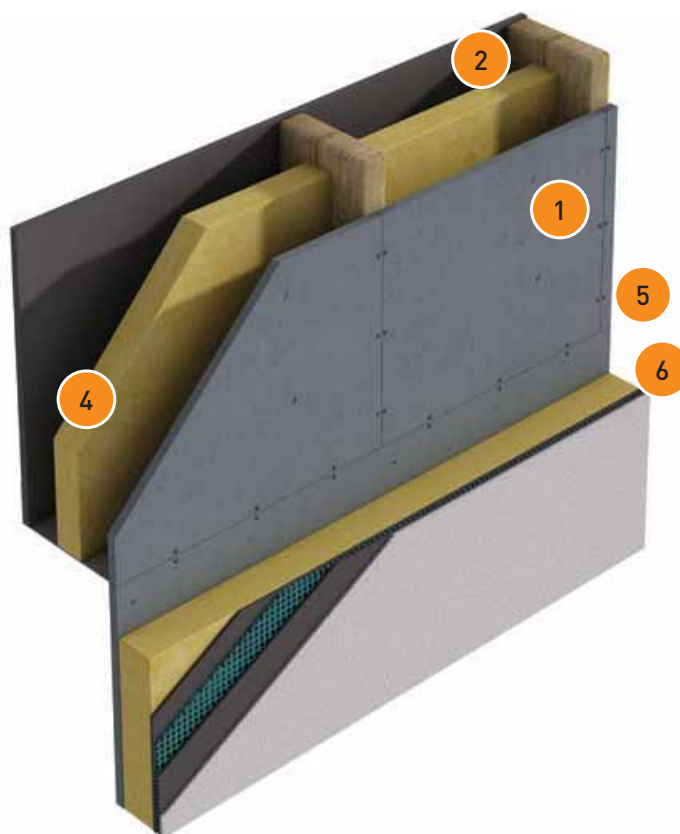
| | |
|---|---------|
| 12.5mm fermacell Gypsum Fibreboard | 0.742kN |
| 15mm fermacell Gypsum Fibreboard | 0.880kN |
| 18mm fermacell Gypsum Fibreboard | 1.091kN |

NB. The results above are obtained from 10 tests per sample board carried out in accordance with equipment conforming to BS5427 on EJOT fixing SW8R 4.8mm x 60mm. The information above should form part of a general guide only.

Steel frame with EWI



Timber frame with EWI



For board characteristics see table on page 11.

CASE STUDY



fermacell scores heavily in Old Trafford test

The Point is the £12 million hospitality and events building at Lancashire County Cricket Club's historic Old Trafford ground, officially opened in June 2010.

fermacell was specified by architects BPD as the backer board for the rainscreen

cladding along the fascia of the spectacular elevated glass fronted structure.

Why fermacell? Because it offered significant cost savings and was a more environmentally friendly option than the established alternatives.

Above all, fermacell has the moisture resistance and all-round resilience required – especially at a stadium that's almost as famous for 'rain stopped play' as it is for some of the great moments in test cricket.

The right render carrier board

Look no further than

fermacell Powerpanel H₂O

What is Powerpanel H₂O?

Powerpanel H₂O is a cement bonded light concrete board with a laminated structure, reinforced on both sides with an alkali resistant glass fibre mesh, manufactured in fermacell's factory in Calbe, Germany. Powerpanel H₂O is non combustible and conforms to construction material class A1.

Proven performance

- BBA approved for use in external wall constructions as a direct render carrier board
- Can be painted directly with a suitable exterior grade painting system
- Ideal for installation behind curtain facades
- Can be used for semi-exposed areas, such as soffits, walls and wall linings in covered balconies, car ports and garages

Board features

- Board sizes (standard format) 1000, 2600, 3010 x 1200 x 12.5mm
- Bulk density: approx. 950-1050 kg/m³. Board weight: approx 13kg/m². Building material class acc. to EN 13501-1: A1
- Frost resistant to EN 12467
- Environmentally compatible building material tested and recommended by IBR and ECO Institute

Surface Coating

Render Coating

Proprietary render systems can be applied to Powerpanel H₂O as per our BBA certification, ensure board is supported correctly to fermacell UK guidelines.

Boards should be butted together with a maximum gap of 2mm, joints should be taped in line with the render system manufacturer's guidelines.

When using a manufacturers render system, refer to their details for full system performance.

Fixings

Timber Frame

| | |
|-------------|--|
| Screw Type | i. Powerpanel H ₂ O Screws. 3.9mm x 35mm @ 200mm centres ii. Stainless Steel Ejot SH3 STS-5.0 x 42mm @ 200mm centres |
| Staple Type | i. Stainless Steel - 1.5mm Gauge, 10mm Head, 38mm long @ 150mm centres |

Steel Frame

| | |
|------------|---|
| Screw Type | i. Powerpanel H ₂ O Drilltip Screws. 3.9mm x 40mm @ 200mm centres ii. Stainless Steel Ejot JT3 STS-2-5.0 x 28mm @ 200mm centres |
|------------|---|



Fixing & Sub-frame Construction Details

Maximum Sub-frame Spacing - 600mm centres

NB: The timber or steel studs should be designed to limit mid-span deflections to L/250 and cantilever deflections to L/180. Refer to Structural Engineers calculations.

Minimum Timber Sizes: Timber Studs (with/without Timber battens) – as directed by the Structural Engineer or external system manufacturer.

Minimum Steel Sizes: External Grade SFS system – as directed by the Structural Engineer or external system manufacturer.

Movement Joints: Horizontal and Vertical movement joints should be incorporated as part of the design to BS EN 13914-1:2005. Vertical movement joints must be set at maximum 15m intervals.

Installation: Should be kept above damp-proof course level and a minimum of 150mm above ground level.

Detailing: Ensure correct detailing around doors, windows and other openings and penetrations to reduce and avoid thermal bridging where possible.

Penetrations: Where required any penetrations, within systems acting as part of a fire construction, must be adequately fire stopped.

Refer to Powerpanel H₂O BBA certificate 13/5044-Product Sheet 2 for further information. For board characteristics see table on page 11.

CASE STUDY



Casa ZII, Paratico (Brescia), Italy

On the shores of beautiful Lake Iseo in Italy's Lombardy region, architects Paola Belussi and David Moriggia have created a striking home using fermacell.

In creating a structure that uses bold geometric shapes and ratios, they wanted to specify a material they could rely on to be as efficient as their design. fermacell fitted the bill perfectly.

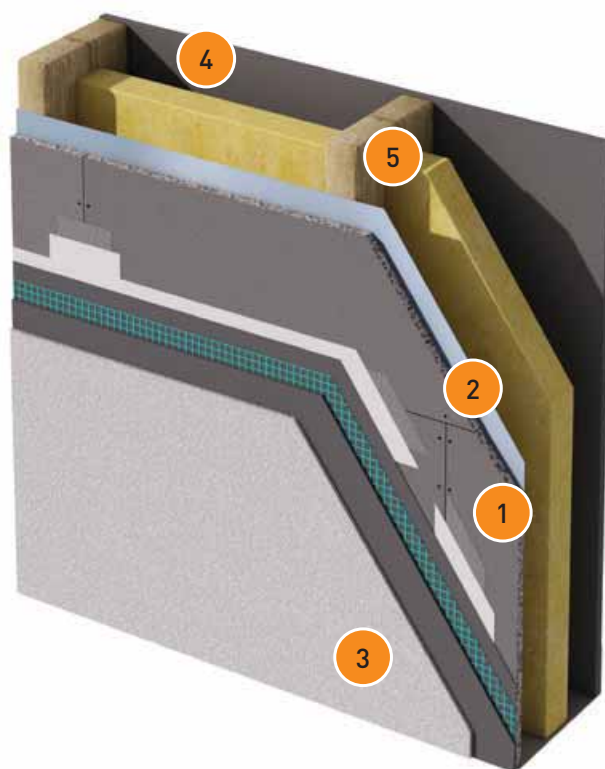
The project's unique setting meant every space of the building was at a different height, but its simple architectural composition has given it a visual harmony – while fermacell has given it an added dimension.

Constructed from pre-fabricated timber sections, fermacell Gypsum Fibreboard and fermacell Powerpanel H₂O boards were chosen for their mechanical properties – acting as both finishing panels and adding racking strength to the building.

Direct Render Powerpanel H₂O System

1. fermacell Powerpanel H₂O
2. Powerpanel H₂O fixings
3. Render System by others
4. Supporting timber frame system by others
5. Breather membrane to face of supporting frame as required

System construction when installing Powerpanel H₂O as a backing board for thin coat render systems. Fixed to battens and incorporating a ventilation cavity (ventilated facades).



A list of manufacturers of compatible render systems, coating and finishes can be requested from fermacell customer services.
*When using a manufacturer's render system, always follow their recommendations for optimum system performance.

fermacell Gypsum Fibreboard

| Dimensional tolerances at constant humidity - board dimensions | |
|--|---------------------------|
| Length | +0/-2mm |
| Width | +0/-2mm |
| Diagonal difference | ≤2mm |
| Thickness 10/12.5/15/18 | ±0.2mm |
| Nominal density, strength | |
| Nominal density (production target) | 1150+ 50kg/m ³ |
| Bending strength (after drying at 40 OC), at right angles to the board surface | ≥5.8 N/mm ² |
| Transverse strength | ≥0.3 N/mm ² |
| Certified tensile values according to DIN 1052 (Permit No: Z-9,1-434) | |
| Bending perpendicular to the board surface | 1.2N/mm ² |
| Bending in board surface | 1.1 N/mm ² |
| Tension in board surface | 0.5 N/mm ² |
| Pressure in board surface | 2.0 N/mm ² |
| Pressure perpendicular to the board surface | 2.5 N/mm ² |
| Shearing in board surface | 0.3 N/mm ² |
| Shearing perpendicular to the board surface | 0.6 N/mm ² |
| Modulus Calculations | |
| E-Modulus perpendicular to the board surface | 3800 N/mm ² |
| E-Modulus parallel to the board surface | 3800 N/mm ² |
| E-Modulus tension | 3800 N/mm ² |
| E-Modulus compression | 3800 N/mm ² |
| Shearing modulus G perpendicular to the board surface | 1600 N/mm ² |
| Shearing modulus G bending in the board surface | 1600 N/mm ² |
| Additional data | |
| Vapour Diffusion Resistance EN ISO 12572 μ | 13 |
| Thermal Conductivity λ | 0.32 W/mK |
| Specific heat capacity C | 1.1 kJ/kgK |
| Brinell hardness | 30 N/mm ² |
| Swelling after 24 hours saturation | <2% |
| Thermal co-efficient of expansion | 0.001%/K |
| Expansion/shrinkage on alteration of the relative humidity of 30% (20°C) | 0.25mm/m |
| Moisture content at 65% relative air humidity and 20°C air temperature | 1.30% |
| Construction material category according EN 13501-1 | A2-s1, d0 |
| pH value | 7-8 |

Board Storage and Handling

- Store on a flat level surface
- Wet board should be allowed to dry out before installation
- Packed in pallets of up to 50 boards
- Maximum 3 pallets are stacked on top of one another
- Before unloading, check load bearing capacity of the floor
- Boards should be carried upright
- Do not stack boards on their edges

Health and Safety

- fermacell products do not contain and harmful or dangerous chemicals but please follow HSE Guidance Note EA44
- Ensure good ventilation
- Use dust extractors where possible
- Use dust mask that meets EN149

fermacell Powerpanel H₂O

| Building inspectorate approval | ETA-07/0087 |
|---|---|
| Construction materials to DIN EN 13501-1 | Non-flammable A1 |
| Dimensional tolerance at constant humidity for standard board sizes | |
| Board thickness | 12.5mm |
| Length, width | ±1mm |
| Diagonal difference | ≤2mm |
| Thickness tolerance | ±0.5mm |
| Board sizes | 1000 x 1200mm 1200 x 2600mm 1200 x 3010mm |
| Characteristic values | |
| Density | ~ 1000kg/m ³ |
| Weight per unit area | ~ 13kg/m ² |
| Moisture equilibrium | ~ 5% |
| Water vapour diffusion resistance co-efficient | μ = 56 |
| Thermal conductivity (to DIN EN 12664) | λ _{10.tr} =0.17W/mK |
| Thermal resistance (to DIN EN 12664) | R _{10.tr} = 0.07 m ² K/W |
| Specific heat capacity | C _p =1000J/(kgK) |
| Flexural strength | ≤6.0N/mm ² |
| Modulus of elasticity in bending | ~ 6000N/mm ² |
| Alkalinity | ~ 10 |
| Relative change in length (to EN 318) | 0.15mm/m* 0.10mm/m** |

*Betw. 30% and 65% r.h.
**Betw. 65% and 85% r.h.

For further data and information please refer to the European Technical Approval ETA-07/0087

Call fermacell UK for more details and system accessories.
T: **0121 311 3480**

NB. Please adhere to full Health and Safety recommendations and regulations, for further details please contact fermacell technical department.

Fermacell
Unit 2, The Courtyard
Reddicap Trading Estate
Sutton Coldfield
West Midlands, B75 7BU
Telephone: 0121 311 3480
Fax: 0121 311 1882
E-Mail: fermacell-uk@xella.com

All information and data is correct at the time of going to print. We reserve the right to make technical changes at any time.

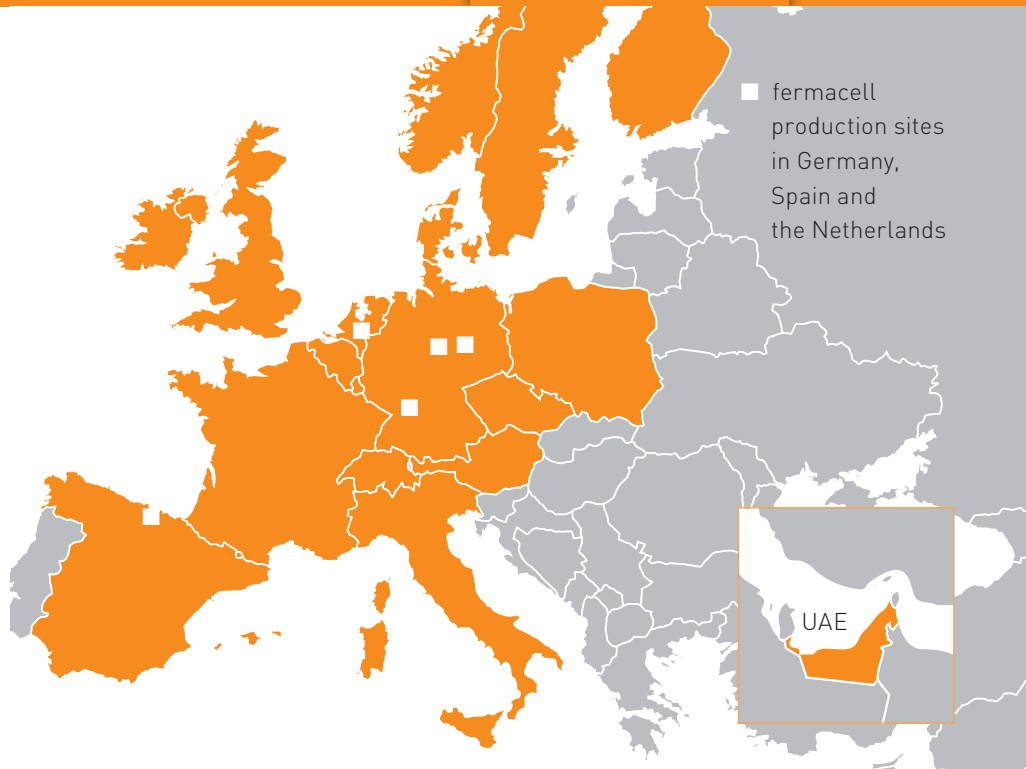
www.fermacell.co.uk

fermacell[®]

A European business

The fermacell product range is today manufactured in 4 factories, 3 in Germany and 1 in the Netherlands. Continually increasing demand has led to the decision to open an additional factory in northern Spain (June 2013).

With sales operations across Europe and one in the Middle East, fermacell products are used in construction projects from Aberdeen to Sicily and from Madrid to Warsaw. UK and international case studies demonstrate that construction industry professionals across Europe understand and value fermacell as the "ultimate building board".



Orejo Factory, Spain



Calbe Factory, Germany



Wijchen Factory, the Netherlands